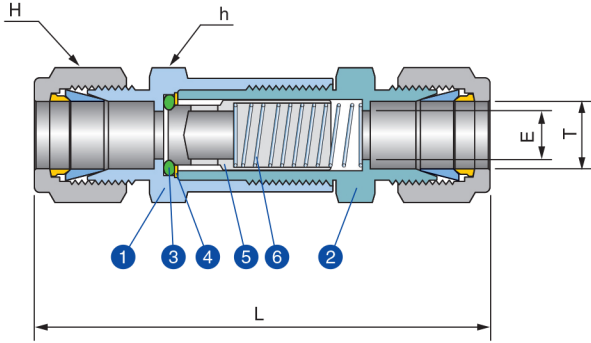


VC3 series

(3000 psig, Fixed Cracking Pressure)



Materials of Construction

No.	Description	Materials	
	Body Material	316SS	Brass
1	Inlet Body	316SS	Brass
2	Outlet Body	316SS	Brass
3	O-ring	Viton	NBR
4	Gasket	304SS	
5	Poppet	316SS	Brass
6	Spring	302SS	

Poppet - Silicone based lubricant
 Inlet Body - Molybdenum dry film lubricant

Ordering Information & Dimensions

Part Number	End Connection		Cv	Dimensions (mm)	
	Inlet	Outlet		L	h
VC31	U-02T-	1/8" Kor-Lok	0.16	54.5	15.87
	U-04T-	1/4" Kor-Lok		59.0	
	U-M06T-	6mm Kor-Lok		59.0	
	F-02N-	1/8" Female NPT		46.5	
	M-02N-	1/8" Male NPT		47.3	
	M-04N-	1/4" Male NPT		52.6	
	MU-04N04T-	1/4" Male NPT 1/4" Uni-Lok		56.0	
VC32	U-06T-	3/8" Kor-Lok	1.48	80.4	19.05
	U-M10T-	10mm Kor-Lok		81.7	
	F-04N-	1/4" Female NPT		54.5	
	M-06N-	3/8" Male NPT		70.6	
VC33	U-08T-	1/2" Kor-Lok	1.70	85.6	22.22
	U-M12T-	12mm Kor-Lok		86.0	
	F-06N-	3/8" Female NPT		76.2	
	M-08N-	1/2" Male NPT		83.0	
VC34	U-10T-	5/8" Kor-Lok	2.60	88.0	28.58
	F-08N-	1/2" Female NPT		91.2	
VC35	U-12T-	3/4" Kor-Lok	5.20	91.8	31.75
	F-12N-	3/4" Female NPT		87.5	
	M-12N-	3/4" Male NPT		86.0	
VC36	U-16T-	1" Kor-Lok	8.00	106.3	34.93
	F-16N-	1" Female NPT		123.0	
	M-16N-	1" Male NPT		115.0	

ISO7/1 Tapered Threads (PT) are available for all fractional sizes of VC series valves. Add "R" as a suffix instead of "N".

Pressure Rating at 70°F(21°C)

Series	316SS		Brass	
	psig	bar	psig	bar
VC31	3000	207	3000	207
VC32 VC33	3000	207	3000	207
VC34 VC35 VC36	2000	138	1500	103

Cracking - Reseal Pressure

Nominal Cracking Pressure	Cracking Pressure Range		Reseal Pressure
	Min.	Max.	
1/3	0	3	up to 6
1	0	4	up to 5
3	2	7	up to 4
10	7	15	3
25	20	30	17
50	40	60	35
75	60	90	53
100	80	120	70

Dimensions are for reference only and are subject to change without prior notice.